

Assembly Instructions for Inbuilt Fascia

PLEASE NOTE: The installation of the flue may need to be partly installed before fitting the heater

Fig. 1

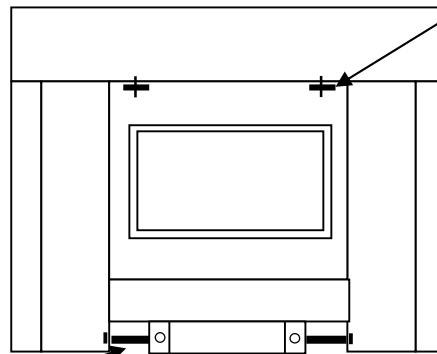
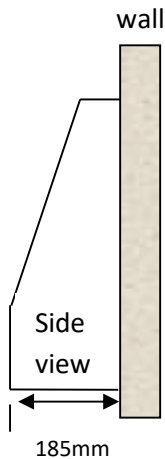


Fig. 2

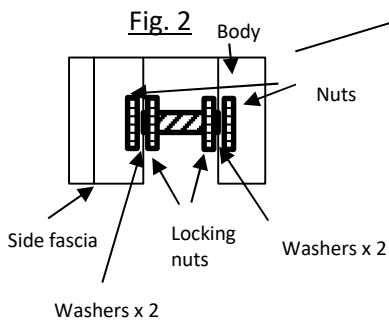


Fig. 3

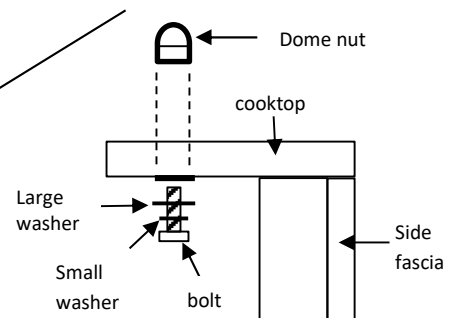
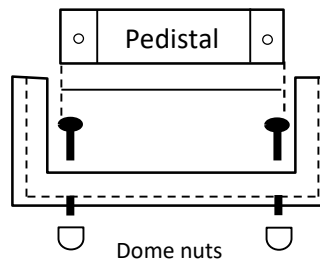


Fig. 4



- Fit the heater into opening approx. 185mm out from the wall. Fig. 1
- Assemble side panels with nuts and bolts leaving nuts loose on pedestal and a small gap between side fascia and body. Fig. 2
- Position cooktop on heater, put in bolts and washers, hand tighten dome nut. Fig. 3
- Push cooktop and side fascia into position and tighten bolts, if side fascia and cooktop do not push flush flat to the wall, then push heater in until flush. Then tighten nuts pulling side fascia into position on bottom of pedestal and secure with lock nut. **DO NOT OVER TIGHTEN.** Clip electrical plug together. Position bottom fascia and lightly tighten small dome nuts. Fig. 4